

## Connection terminals For mould wiring



- **Easy to install**
- **3-parts, can be opened**
- **Dimensions from 1x 6pol. up to 2x 48pol. available**
- **Connector inserts heat-resistant up to 180°C**

Malfunctions in the mould heating can be very expensive. Often, the origin is in the wiring.

These mould terminal boxes create an easily accessible wiring space and thus give you the basic condition for an clearly arranged, reliable wiring. By using these terminal boxes, you can wire your moulds quicker and with less faults, the result is more economic and easy to maintain.

Standard delivery :

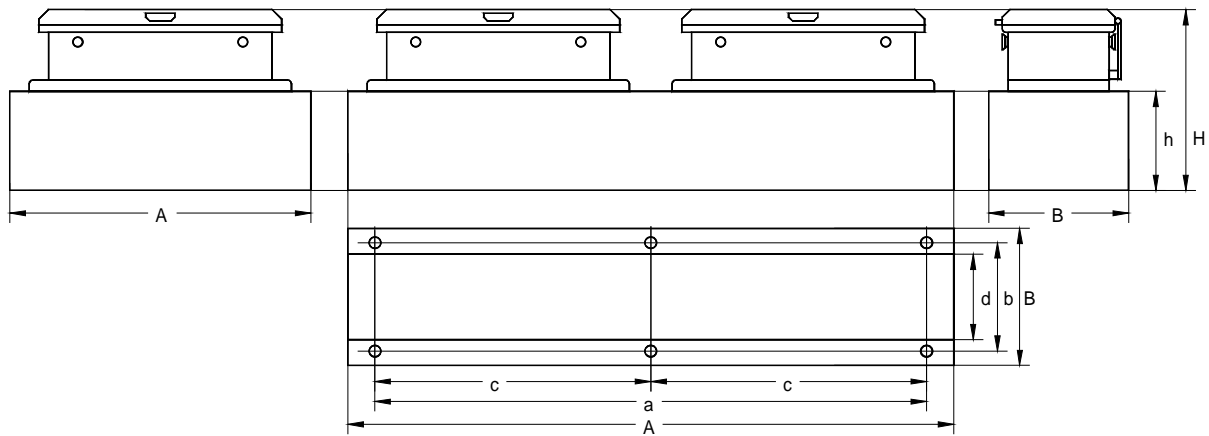
- Connector enclosure with 4 bolts, robust cover made from injection moulded aluminium
- Heat-resistant contact inserts
- Set ground wiring
- Material: steel plate 1,5mm, powder coated
- Colour: RAL 7030

If desired, the terminal boxes are also available with different connector enclosures. Of course, if the space does not permit the use of the boxes, connector housings and enclosures are also available independently (see chapter 7 „connectors“).

See also:

Art.-Nr. 186..	Nickel wires	(price list p. 9)
Art.-Nr. 176..	Insulation hoses	(price list p. 9)
Art.-Nr. 17600	Insulation tape	(price list p. 9)

Dimensions :



Types:

Art.-Nr.	Type	Connector (Standard: pin)	Outer dimensions / mm				Grid dimensions / mm			Cable opening / mm	
			Length (A)	Width (B)	Height (H)	Box- height (h)	a	b	c	d	A-4mm
80706	WA 0106	1x 6pol.	95	72	95	52	70	56	--	45	92
80707	WA 0110	1x 10pol.	95	72	95	52	70	56	--	45	92
80701	WA 0116	1x 16pol.	128	72	95	52	103	56	--	45	124
80702	WA 0216	2x 16pol.	278	72	95	52	250	56	125	45	275
80703	WA 0124	1x 24pol.	155	72	95	52	130	56	--	45	151
80704	WA 0224	2x 24pol.	327	72	95	52	302	56	151	45	325
80708	WA 0248	2x 48pol.	350	126	120	52	326	108	163	96	346

Terminal box consists of 3 parts:

