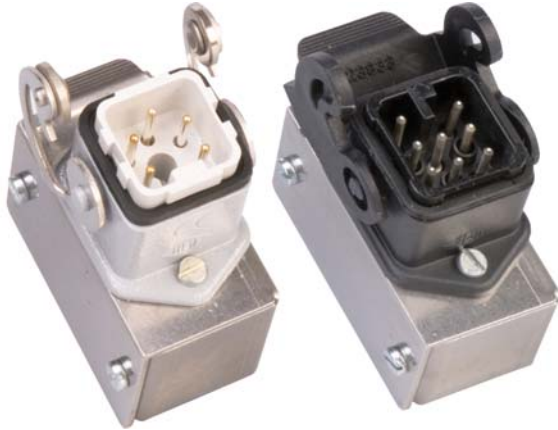
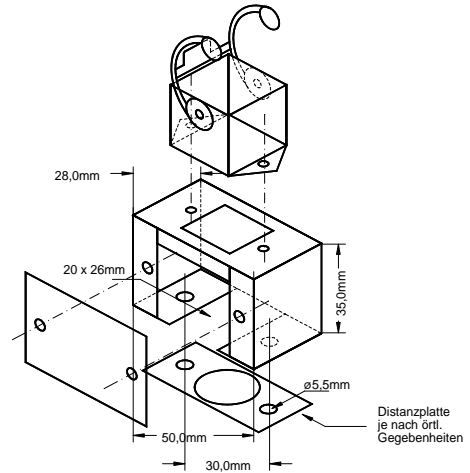


### Mini- mould connection terminal WA0104/0107



Mini-connection terminal for small moulds.  
WA0104: for 1 zone with TC  
WA0107: for 1 zone with TC and  
1 zone without TC  
(Controller f.e. NL2006)



#### Specification

<b>Connector</b>	1Pc. industrial norm connector Gr.21	
	Pin 4-pol.+PE	Pin 7-pol. + PE
Appropriate connection cable	VK 04...	VK 07...
<b>Dimensions (WxHxD)</b>	50x35x28mm (w/o connector)	
<b>Material</b>	Inox uncoated	
<b>Weight</b>	0,1kg	
<b>Art.-Nr.</b>	80700.4	80700.7

### Mould connection terminal WA0106



All outer- en grid-dimensions see also table and drawing on „mould connection terminals“, page 2/2.

Connection terminal for moulds  
with 1 zone with TC and 1 zone without TC  
(controller f.e. NL2006)

Norm for pin-assignment :  
see datasheet

#### Specification

<b>Connector</b>	1St. industrial norm connector Gr.27	
	Pin 6-pol. 180°C	
Appropriate connection cable	VK 06...	
<b>Dimensions (WxHxD)</b>	95x52x72mm (w/o connector)	
<b>Material</b>	Steel plate 1,5mm powder coated RAL 7030	
<b>Weight</b>	0,45kg	
<b>Art.-Nr.</b>	80706	

## Mould connection terminal WA0110



All outer- en grid-dimensions see also table and drawing on „mould connection terminals“, page 2/2.

Connection terminal for moulds up to  
2 zones with TC

Norm for pin-assignment :  
see datasheet

### Specification

Connector	1St. industrial norm connector Gr.27
	Pin 10-pol. 180°C
Appropriate connection cable	VK 08...
Dimensions (WxHxD)	95x52x72mm (w/o connector)
Material	Steel plate 1,5mm powder coated RAL 7030
Weight	0,55g
Art.-Nr.	80707

## Mould connection terminal WA0116



All outer- en grid-dimensions see also table and drawing on „mould connection terminals“, page 2/2.

Connection terminal for moulds up to  
4 zones with TC

Norm for pin-assignment :  
see datasheet

### Specification

Connector	1St. industrial norm connector Gr.27
	Pin 16-pol. 180°C
Appropriate connection cable	VK 16...
Dimensions (WxHxD)	128x52x126mm (w/o connector)
Material	Steel plate 1,5mm powder coated RAL 7030
Weight	0,7kg
Art.-Nr.	80701