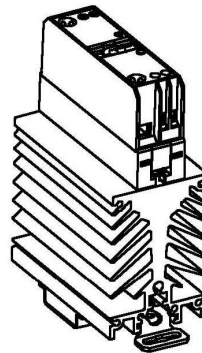
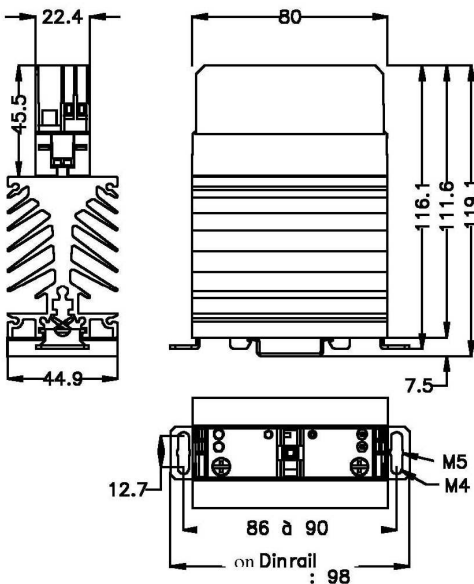
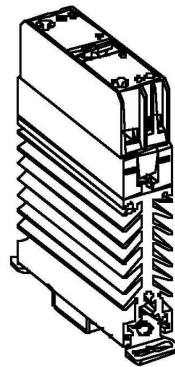
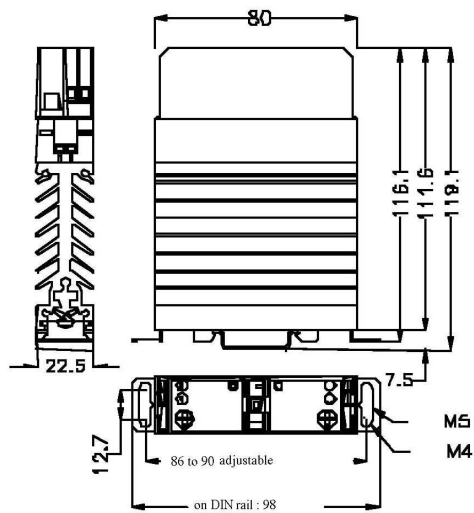


Solid state relay 22,5mm

- Driven by temperature controller with SSR-output
- Optimized for control of Ohm resistive loads for heating
- With LED for input survey
- Narrow width for mounting in electrical cabinets

Design 1 phase



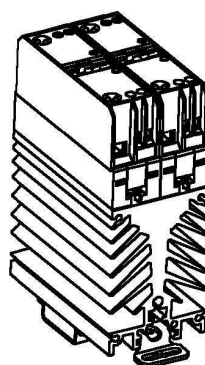
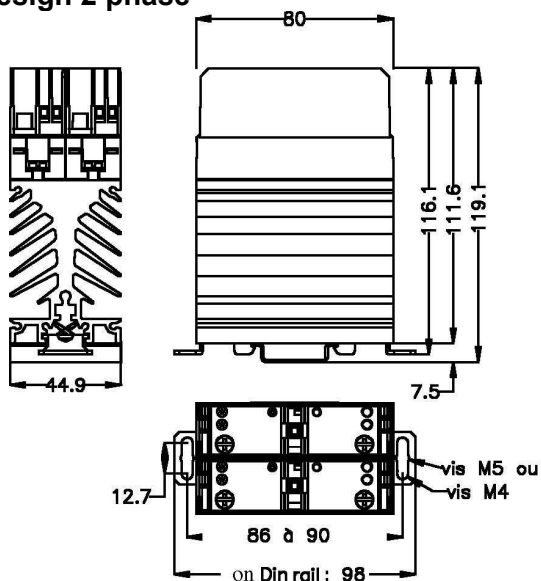
Type	Art.-Nr.	Current	Voltage	I ² t	U _{peak}	Input
HRK 162.22	12176	1x 25A	24 – 510V AC	1250A ² s	1200Vp	3,5 – 32V DC
HRK 165.22	12178	1x 32A	24 – 510V AC	1500A ² s	1200Vp	3,5 – 32V DC
HRK 167.45	12180	1x 40A	24 – 510V AC	1500A ² s	1200Vp	3,5 – 32V DC

Also model with AC input available

Solid state relay 2-phase 45mm

- Particularly suitable for 3 phase autotransformer
- Optimized for control of Ohm resistive loads for heating
- With LED for input survey
- Narrow width for mounting in electrical cabinets

Design 2 phase



Type	Art.-Nr.	Current	Voltage	I ² t	U _{peak}	Input
HRK 265.45	12182.22	2x 22A	24 – 510V AC	1500A ² s	1200Vp	3,5 – 32V DC
HRK 267.45	12182.25	2x 25A	24 – 510V AC	5000A ² s	1200Vp	3,5 - 32V DC